

Heavyduty Type

Pneumatic Shear Knifeholder

MT-A610

MT-A610 has a unique patent design with three cylinders and robust knife-holder to offer stable down force. Easy operation, this model including two stage action, down stroke and side stroke can be controlled by individual valves or continuous movement. Built in self-flow control is ideal for reducing the downward rate of knife-holder prevents blade damage when improper operation. New micro depth adjustment enhances control overlap distance, accuracy up to 0.05mm. Adjustable cant angle provide wide a range of different web direction application.

The MT-A610 is ideal for a wide range of applications throughout a multitude of diverse shear slitting like paper, plastic film, non-woven fibers and others.

» Feature

- Min slitting width 53mm
- Self flow control
- Micro depth adjustment
- Individual control valve
- Cant angle adjustment
- Patent structure

» Specification

- Min. slitting width : 53mm
- Max. slitting speed : 1000M/min ⁽¹⁾
- Down stroke range : 0~25mm
- Side contact range : 0~3mm
- Top blade dia. : ϕ 150mm
- Guide-bar : GB01/GB02/GB04

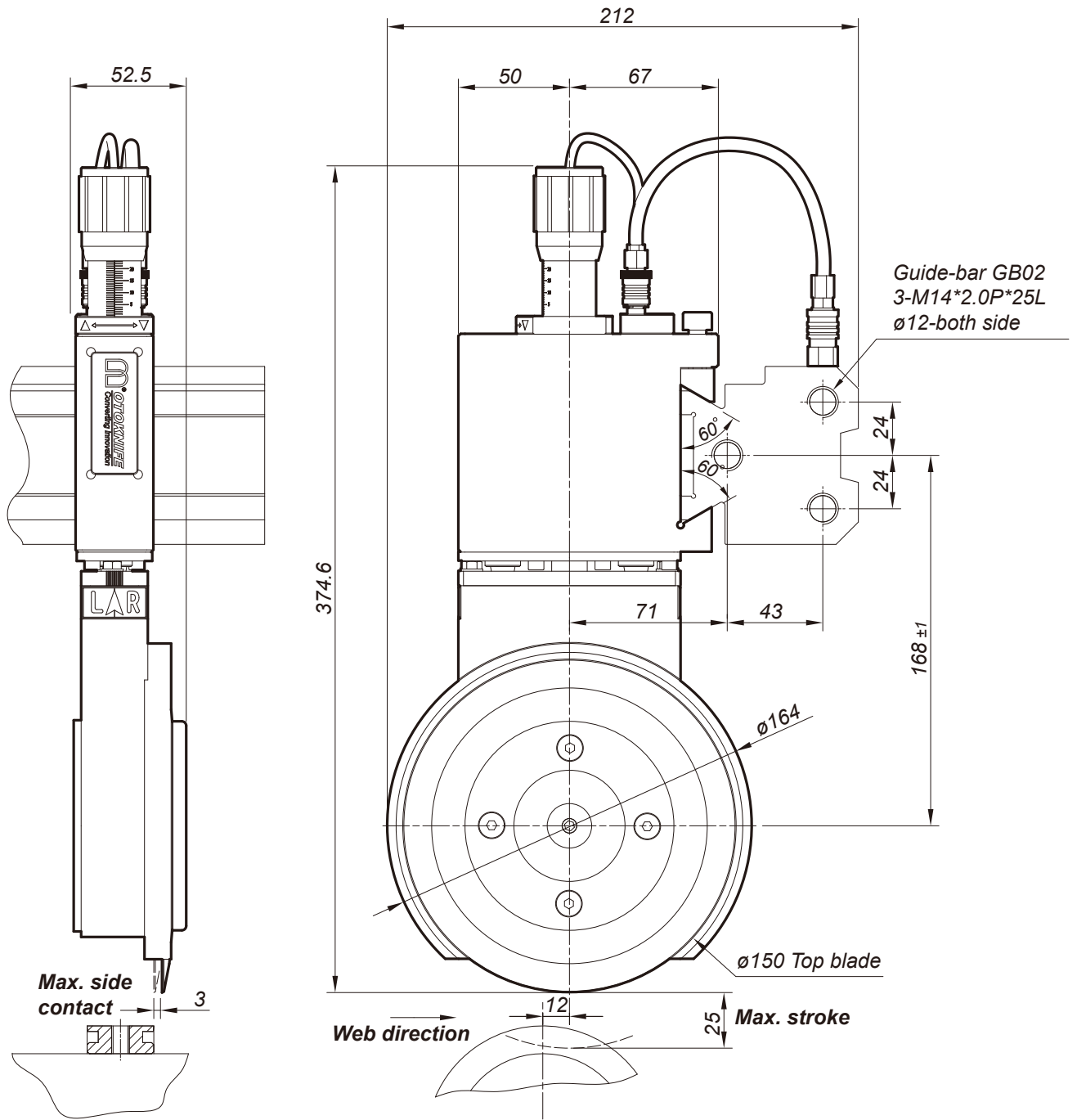
(1) Max slitting speed depends on different material and the condition will be changed.



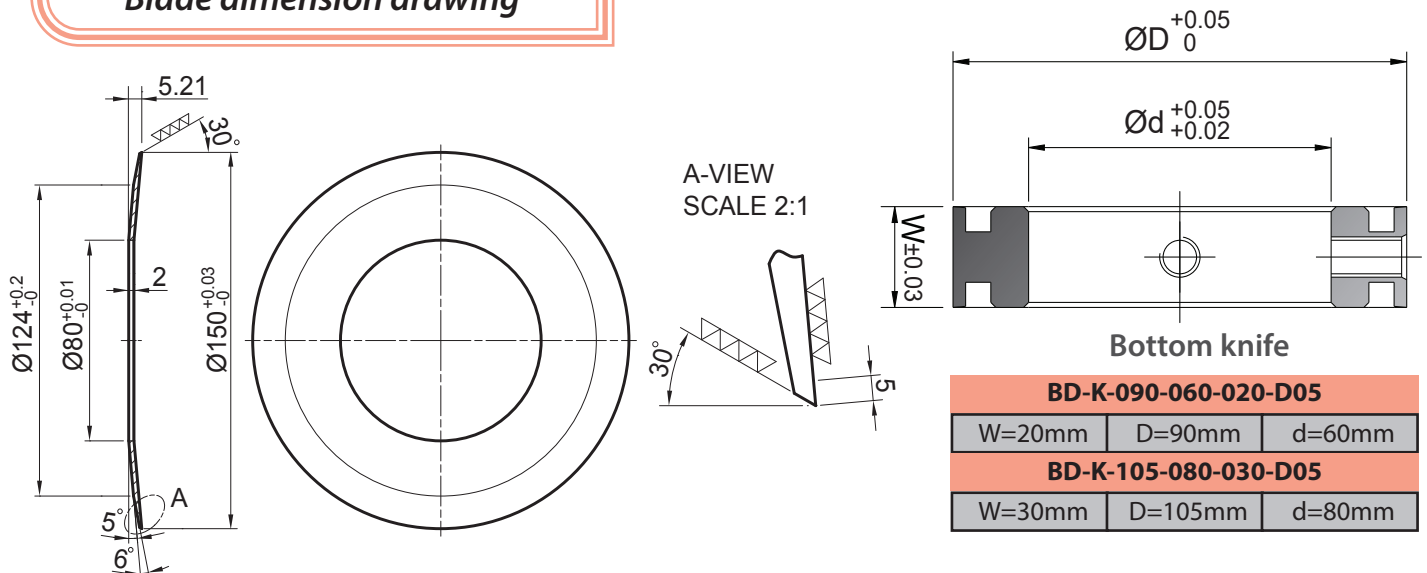
MT-A610

MOTOKNIFE

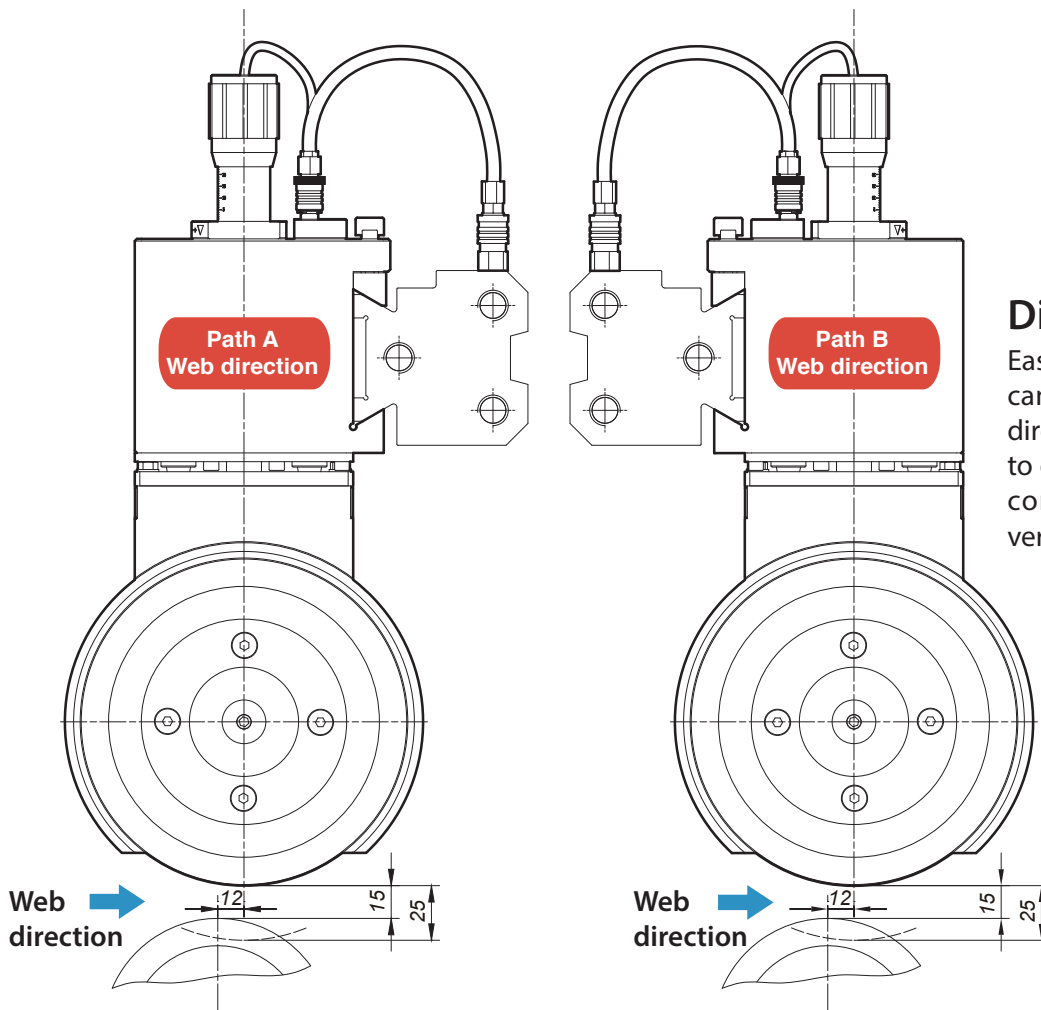
MT-A610 D imension drawing



Blade dimension drawing



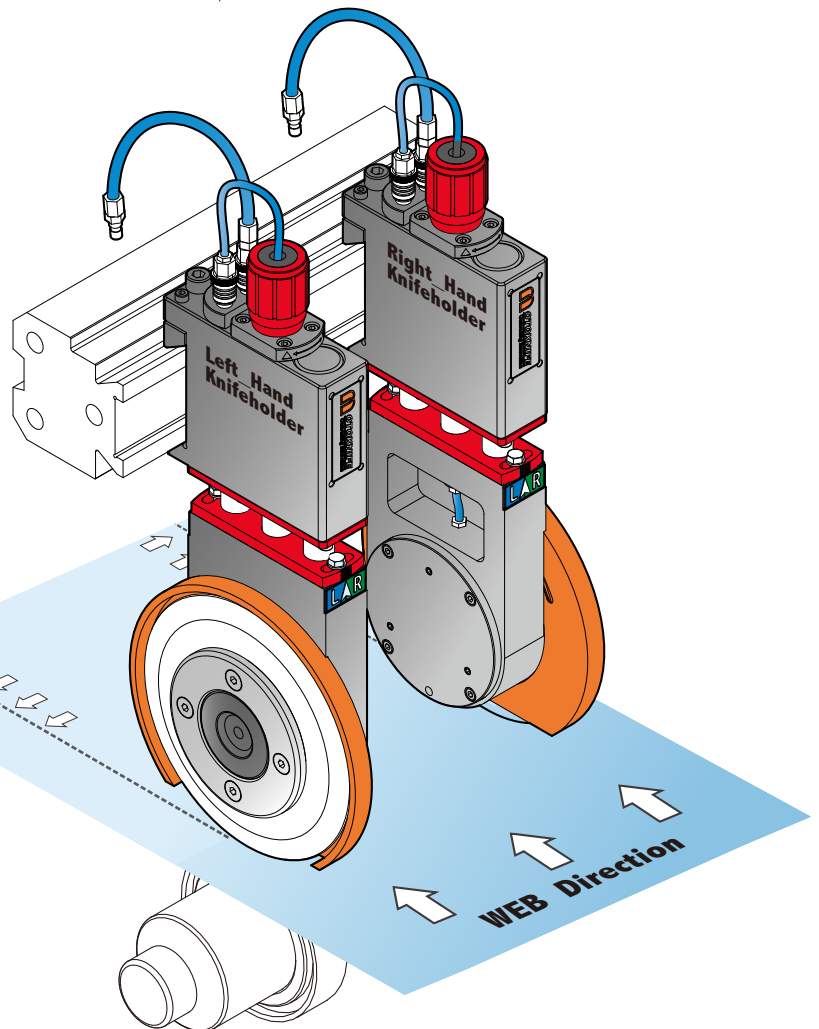
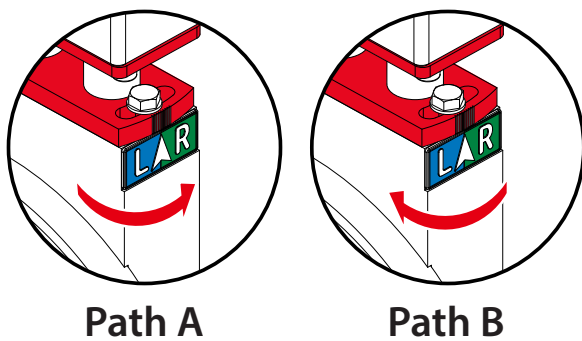
Different web path arrange



Different Web Path

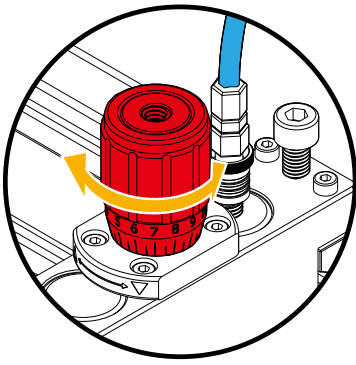
Easily changeable cant angle can is for different web path direction application, in order to obtain better slitting effect corrcet cant angle setup is very important!!

Knife-holder direction arrange



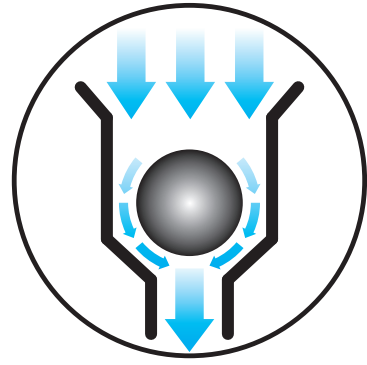
Cant angle adjust

For different web path application now is more easily to adjust. Unscrew angle plate and rotate bottom knifeholder for different web path direction and to get better efficiency result.



Depth adjust

Using depth adjust screw can easily control down stroke overlap distance between top and bottom blade, it is helpful for overlap compensation when blade wear.

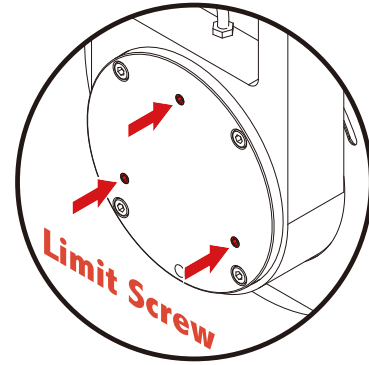
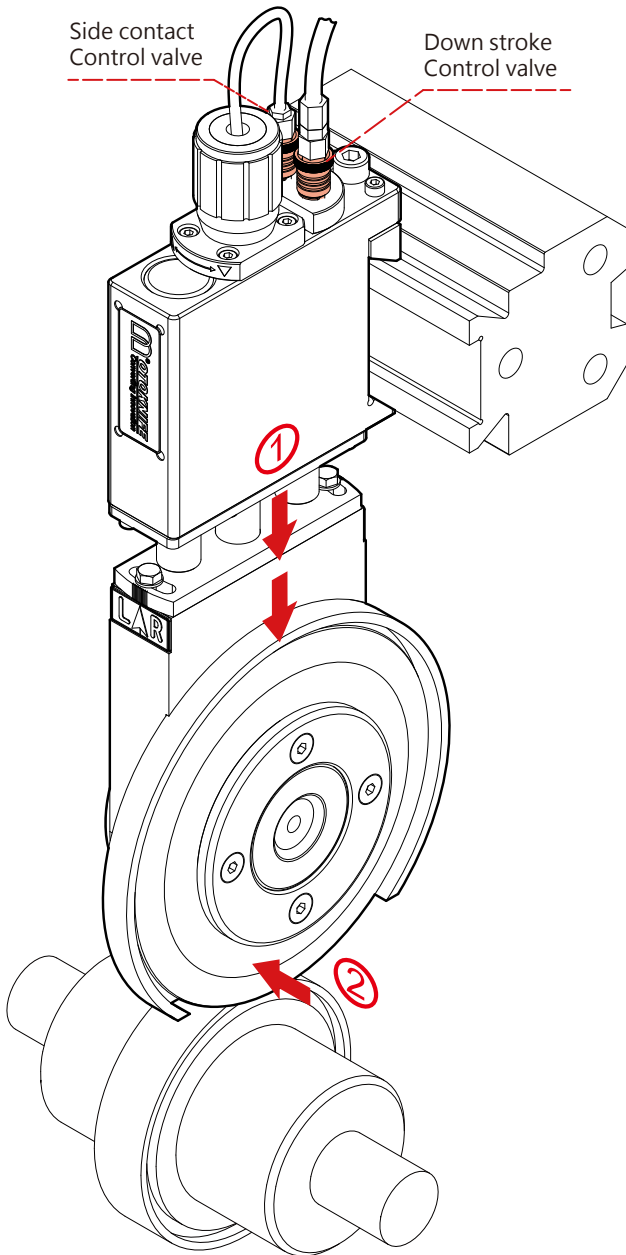


Internal air flow control

Patent design with internal air flow control, you can directly connect air source without air throttle valve and never worry too much air flow to damage blade!!

Individual valve control

More convenient for down stroke and side contact individual valve control, it can be operation under automatic action or separate when arrange position.



Side contact limit

Behind the bottom knife-holder have three screws can be adjust side contact stroke, proper side stroke setting will extend blade life time and getting better slitting edge.

Slitting Products Available:

Various Papers	kraft paper, silicone paper, releasing paper, decoration wall paper, masking paper, adhesive paper, thick paper board, corrugated carton paper, sand paper.
Various Plastic films	flexible laminated films, soft & rigid PVC films, BOPP, PET, PE, PS, LDPE, PLA, SBS, various adhesive tape...etc.
Cloth & fabrics	non-woven cloth, synthetic leather, natural cotton, mesh cloth, medical cloth, label cloth...etc.
Metal films	copper foil, aluminum foil.

MT-A610

MOTOKNIFE



MOTO, TAIWAN
32652 No.65 Lane 155, Xinjiang Rd.,
Yangmei District, Taoyuan City, Taiwan
TEL: +886-3-4753005
FAX: +886-3-4754797
E-mail: service@motoknife.com
http://www.motoknife.com

MOTO, CHINA
No.8 Zhang Jia Road, Huang Du Town,
JiaDing Area, Shanghai, China
TEL: +86-21-69596169
FAX: +86-21-69596163
E-mail: motokevin@126.com

